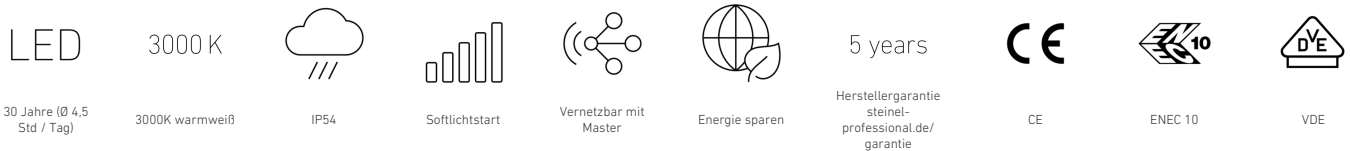


## RS PRO P3

warm white  
EAN 4007841 056131  
Article number 056131



### Function description

Circular classic. Perfect shape. Perfect efficiency. The perfect indoor light as version without sensor. The RS PRO P3 integrates harmoniously into corridors, hallways and stairwells. It combines timeless design and extremely easy installation with pioneering technology and can be interconnected with the version with sensor by cable. Output: 17,8 W with 2081 lm, 3000 K.

### Technical specifications

Dimensions (Ø x H)	400 x 142 mm
With lamp	Yes, STEINEL LED system
With motion detector	No
Manufacturer's Warranty	5 years
Version	warm white
PU1, EAN	4007841056131
Colour	white
Installation site	wall, ceiling
Installation	Ceiling
Impact resistance	IK03
IP-rating	IP54
Protection class	II
Ambient temperature	-10 – 40 °C
Housing material	Plastic
Cover material	Plastic, opal
Mains power supply	220 – 240 V / 50 – 60 Hz
Luminous flux total product	2081 lm

Lamp	LED cannot be replaced
Base	without
LED cooling system	Passive Thermo Control
Soft light start	Yes
Interconnection via	Cable
Lifetime LED according to IEC-62717 (L70)	100.000 h
Lifetime LED according to IEC-62717 (L80)	74.000 h
Lebensdauer LED nach IES TM-21 (L70)	>60.000 h
Lifetime LED according to IES TM-21 (L80)	>60.000 h
Fuse protection B10	54
Fuse protection B16	87
Fuse protection C10	90
Fuse protection C16	145
Output	17,8 W
Colour Rendering Index CRI	= 82

LED indoor light without sensor - Professional Line

# RS PRO P3

warm white  
EAN 4007841 056131  
Article number 056131



## Technical specifications

Total product efficiency	120 lm/W
--------------------------	----------

Colour temperature	3000 K
--------------------	--------

Photobiological safety in accordance with EN 62471	RG1
--	-----

Starting current, maximum	13 A
---------------------------	------

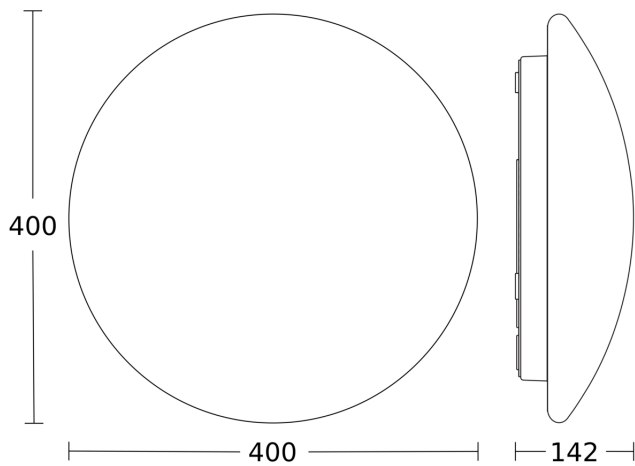
IP-rating, ceiling	IP54
--------------------	------

# RS PRO P3

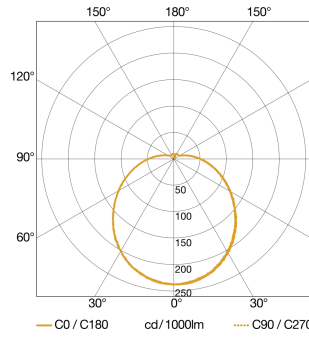
warm white  
EAN 4007841 056131  
Article number 056131



## Dimension Drawing

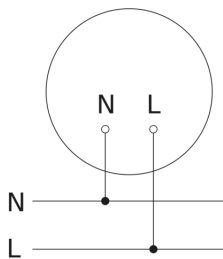


## Light Distribution Curve

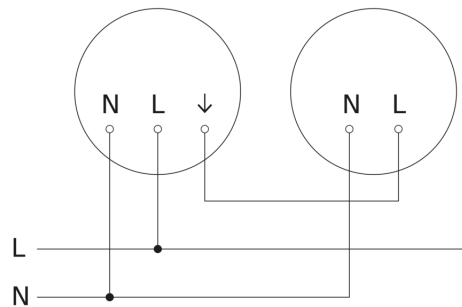


Output	17,8 W
With lamp	Yes, STEINEL LED system
Lamp	LED cannot be replaced
Measured luminous flux (360°)	2081 lm
Colour temperature	3000 K
LED life expectancy (max. °C)	50000 h
LED cooling system	Passive Thermo Control

## Master circuit diagram



## Master/slave interconnection circuit diagram



# RS PRO P3

warm white

EAN 4007841 056131

Article number 056131

## Master/slave interconnection circuit diagram

